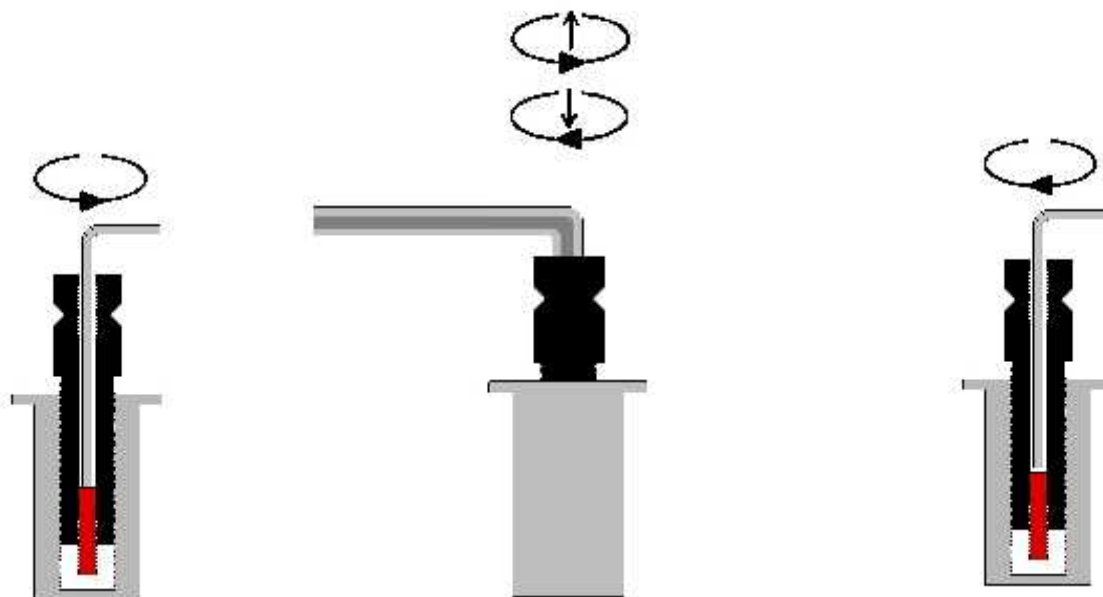


## CAUTION:

Do not attempt to lower the stud bolts, the screws that adjust bridge's height, before being sure that the inside screws are recessed enough to allow that. Do not overtighten the inside screw or the studs bolts.

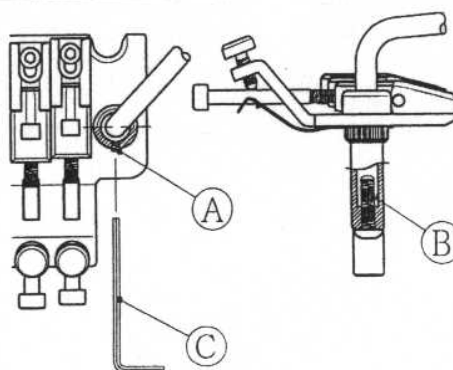
The "inside screw's" purpose is to firmly lock the bridge Stud bolt in its position, keeping the bolts firm, avoiding detunings, and giving the best "back to pitch" action.



### GOTOH GE1996T ARM LOCK OPERATION MANUAL

#### HOW TO PUT ARM

1. Loosen torque adjusting screw<sup>(A)</sup> slightly by allen wrench<sup>(C)</sup>.
2. Insert arm until it touches center-guide-screw<sup>(B)</sup>.
3. Turn arm clockwise and set it at desired height.
4. Tighten torque adjusting screw<sup>(A)</sup> by degrees by allen wrench<sup>(C)</sup> and adjust arm torque.



#### HOW TO TAKE OFF ARM

1. Turn arm counterclockwise and remove it from center-guide-screw<sup>(B)</sup>.
2. Take off arm.

CAUTION: Do not loosen or tighten torque adjusting screw<sup>(A)</sup> unnecessarily too much.